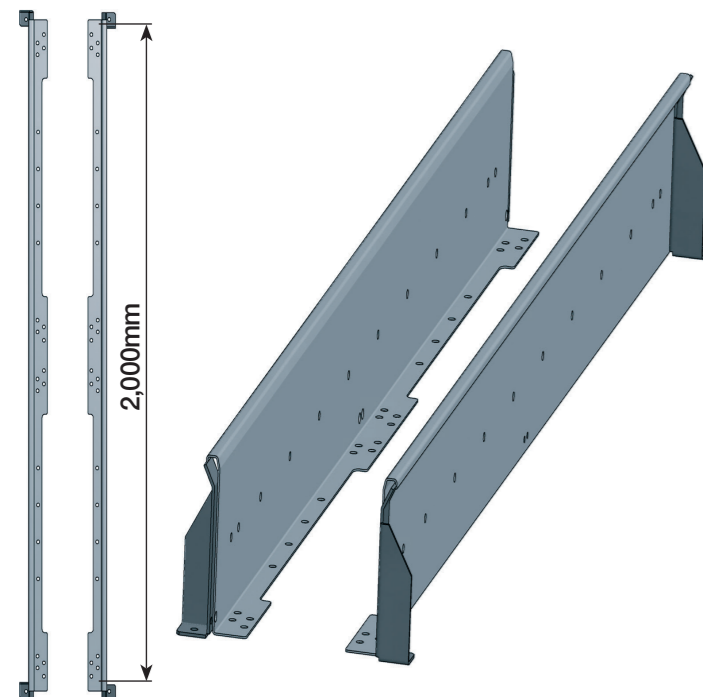


# Steel guide trough | Fixed end module

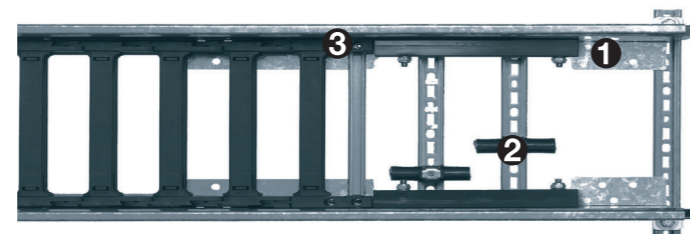
Quick and simple fixing onto the steel guide trough



When installing the mounting brackets at the fixed end, the steel trough normally needs to be drilled to match the mounting bracket hole pattern. With the new fixed end module the holes are pre-prepared so that the 2,000mm long component can be used for centre fed, end fed and even for reverse fed applications.

- ❶ Fast fixation of igus® mounting brackets thanks to prefabricated holes
- ❷ Fast installation of C-profile for strain relief
- ❸ Fast bolting of glide bars

**Industries:** power plants, coal conveyors, mining, composting plants, raw material storage, gypsum plants, etc.



Series	For steel guide trough	For e-chain® series
90.80.01*	90.30   90.31	800, 840
92.80.01	92.30   92.31	E2.26, 2500, 255, E6.29/R6.29, EF61.29/E61.29
93.80.01	93.30   93.31	E2.48, 3500, R68, E4.42/H4.42/R4.42, E4.48L/R4.48L, E6.52/R6.52, E61.52
94.80.01	94.30   94.31	E4.56/H4.56/R4.56, 14040/14140 /R18840, 14240/14340, E6.62, E4.64L
95.80.01	95.30   95.31	E2.38, 2700
96.80.01	96.30   96.31	E4.80/H4.80/R4.80, 15050/15150/R19850, E6.80, E61.80
97.80.01	97.30   97.31	E4.32/H4.32/R4.32, E4.38L/R4.38L, E6.40/R6.40, E61.40
98.80.01	98.30   98.31	E4.112/R4.112, 1640/R1608
99.80.01	99.30   99.31	E4.28/R4.28, E4.31L/R4.31L, E6.35, E61.35
94.14550.80.01*	94.14550.30   94.14550.31	14550/14650/R19050

\*Fixed end module available upon request. Please consult igus® for delivery time.



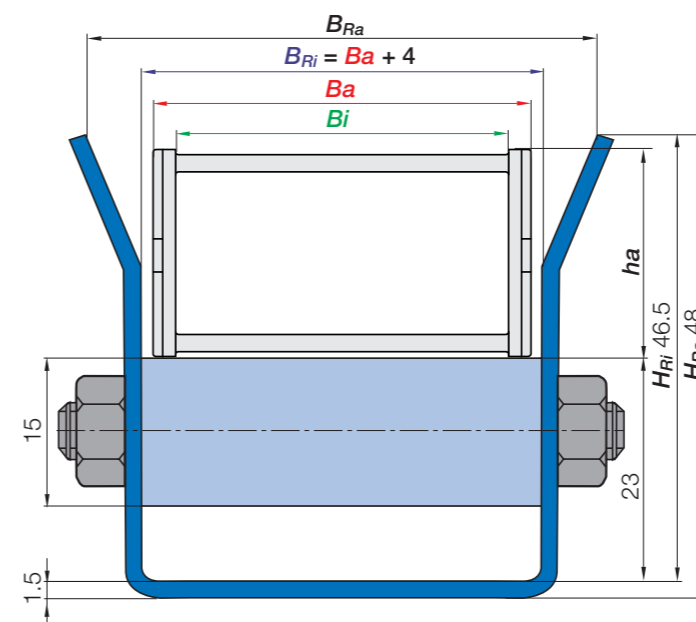
Fixed end module - length 2,000mm

Available from stock. Ready to ship in 24 - 48 hrs.\*

\*The delivery times indicated correspond to the average time until the ordered goods are dispatched.

# Steel guide trough | One-piece, U-shaped

Special solution for series 10, B15 and 15



### Components

- = Guide trough
- = Glide bar
- = fastening screws

- Ba = e-chain® outer width
- Bi = e-chain® inner width
- ha = e-chain® outer height
- H<sub>Ri</sub> = Trough inner height
- H<sub>Ra</sub> = Trough outer height
- B<sub>Ri</sub> = Trough inner width
- B<sub>Ra</sub> = Trough outer width

For the following igus® series

**E2 mini**

- 10
- B15

**zipper**

- 15



For series 10, 15 and B15 one-piece, U-shaped steel guide troughs are available. They have a continuous glide bar for the gliding section of the trough. The guide troughs for the e-chains® with an outer width up to 100mm are available from stock. For wider e-chains® special solutions are possible. For this trough sizes no installation sets are necessary as the guide troughs are made of a single U-profile. The solution for the trough joint is specific to each application. (material: galvanised steel)

Series	For e-chain® series	B <sub>Ra</sub>	B <sub>Ri</sub>	Weight
Part No.		[mm]	[mm]	[kg/m]
91.10 Trough <b>without</b> glide bar, 2m section	10.015/15.015/B15.015	40.5	30	≈ 1.50
91.11 Trough <b>with</b> glide bar, 2m section	10.015/15.015/B15.015	40.5	30	≈ 2.10
91.20 Trough <b>without</b> glide bar, 2m section	10.025/15.025/B15.025	50.5	40	≈ 1.65
91.21 Trough <b>with</b> glide bar, 2m section	10.025/15.025/B15.025	50.5	40	≈ 2.35
91.30 Trough <b>without</b> glide bar, 2m section	10.038/15.038/B15.038	62.5	52	≈ 1.80
91.31 Trough <b>with</b> glide bar, 2m section	10.038/15.038/B15.038	62.5	52	≈ 2.70
91.40 Trough <b>without</b> glide bar, 2m section	10.050/15.050/B15.050	72.5	62	≈ 1.90
91.41 Trough <b>with</b> glide bar, 2m section	10.050/15.050/B15.050	72.5	62	≈ 3.15
91.50 Trough <b>without</b> glide bar, 2m section	10.5/15.5/B15.5	89.5	79	≈ 2.15
91.51 Trough <b>with</b> glide bar, 2m section	10.5/15.5/B15.5	89.5	79	≈ 4.30
91.60 Trough <b>without</b> glide bar, 2m section	10.6/15.6/B15.6	106.5	96	≈ 2.40
91.61 Trough <b>with</b> glide bar, 2m section	10.6/15.6/B15.6	106.5	96	≈ 4.60
91.70 Trough <b>without</b> glide bar, 2m section	10.7/15.7/B15.7	126.5	116	≈ 2.80
91.71 Trough <b>with</b> glide bar, 2m section	10.7/15.7/B15.7	126.5	116	≈ 5.20